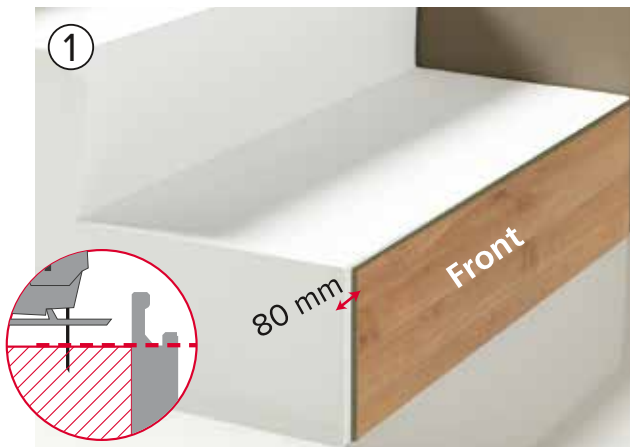


STAIR NOSE WATER-REPELLENT HDF

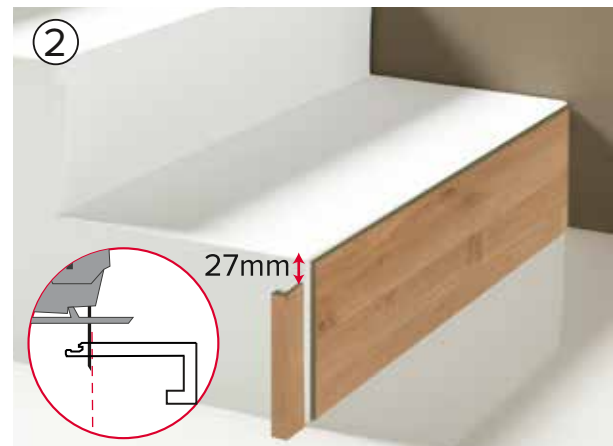
The FAUS stair nose is the perfect complement to provide that finishing touch to your stairs. It allows to achieve an aligned and continuous effect with a professional look and finish. In addition, this complement has the exact same color, design and strength as our laminate flooring.



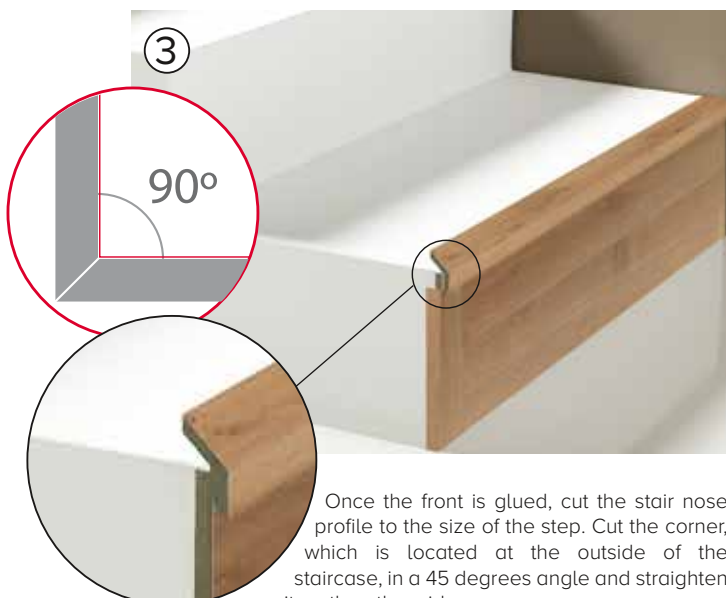
INSTALLATION INSTRUCTION OF OPEN LADDER



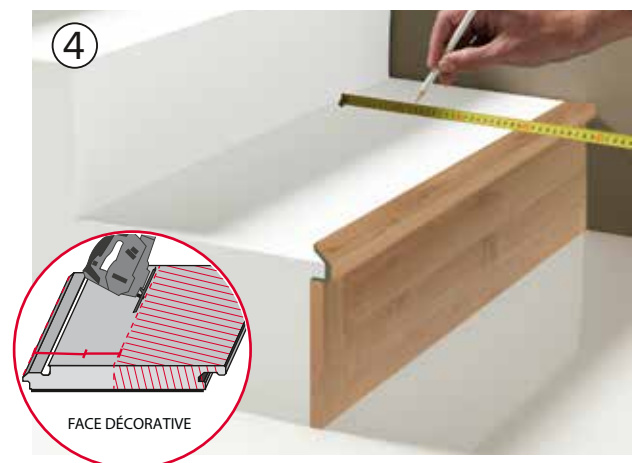
With a dry and levelled surface, cut the FAUS floor at the level of the risers (front) height, subtracting 80 mm (size of the stair nose) and cut the tongue and groove of the 4 sides.



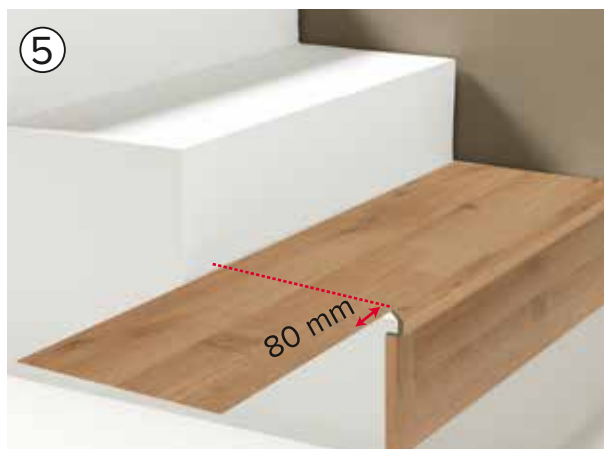
Subsequently, cut the groove at the same measure of the height of the step, subtracting 27 mm. Then clean the groove carefully and stick the plank and the stair nose to the riser using silicone.



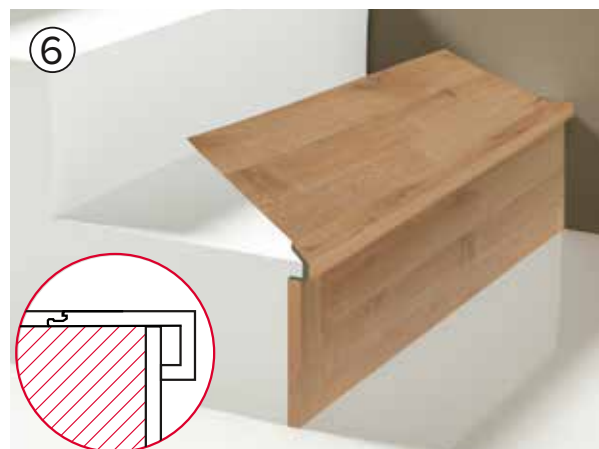
Once the front is glued, cut the stair nose profile to the size of the step. Cut the corner, which is located at the outside of the staircase, in a 45 degrees angle and straighten it on the other side.



Provisionally, place the stair nose and measure the distance (riser) from the front to the profile. Next, cut the plank facing the decorative side down. Note that you should add 2mm to the previously measured distance, counting from the side of the tongue.



Measure the length of the step, subtracting again the measure of the stair nose (80 mm) and cut the plank at both sides to the measure, make sure to clean both the tongue and the groove.



Without gluing, anchor the floor with its Loc system.



Glue both parts together (plank and stair nose) and fix it to the step with silicone.



Cut the stair nose to the measure of the step and finish it off. Miter cut the right side (A) to fit it to the other stair nose. Crosscut the left side to miter (B). Clean the groove, then fix it to the step with silicone.



Repeat all operations on the following steps.